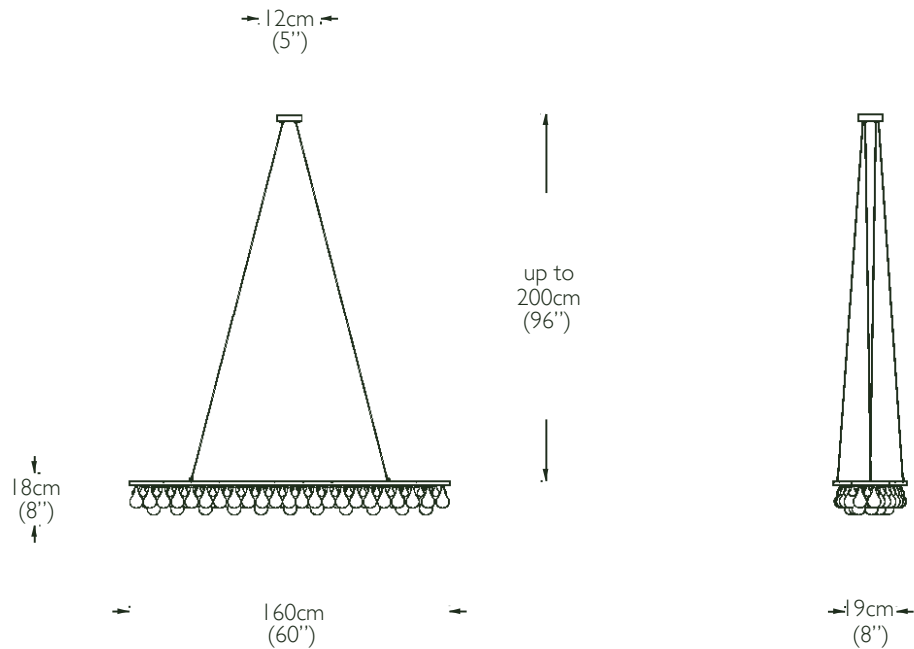


OCHRE



colours shown are a general indication of the actual finish

polished nickel
patinated bronze



- single wave 160cm:** canopy - 12cm diam (5" diam)
overall - 160cm w x 19cm d x 18cm h (60" w x 8" d x 8" h)
overall depth including curve is approx 28cm (11")
- light source: 10x E14 (EU/UK), 7x E12 (US) bulb holders, screw fitting
bulbs not supplied, dimmable golf ball shape recommended
max 60 watts per incandescent bulb, LED bulb recommended
- wiring: clear (UL listed)
- installation: 4x tension wires adjustable up to 2m (96"), with ceiling canopy matching frame finish
it is advisable to measure from ceiling to top of chandelier in case longer wires are required
qualified electrician necessary for installation
- weight: approx 34kg (75lbs)
- double wave 200cm:** overall - 200cm w x 19cm d x 18cm h (78" w x 8" d x 8" h)
- light source: 12x E14 (EU/UK), 10x E12 (US) bulb holders, screw fitting
- weight: approx 41kg (90lbs)
- single wave 100cm:** overall - 100cm w x 19cm d x 18cm h (40" w x 8" d x 8" h)
- light source: 3x E14 (EU/UK), 10x E12 (US) bulb holders, screw fitting
- weight: approx 20kg (44lbs)
- custom sizes available - please enquire

arctic pear chandelier single wave 160cm

patinated bronze or polished nickel frame with solid glass drops single tier with additional drops on central channel