

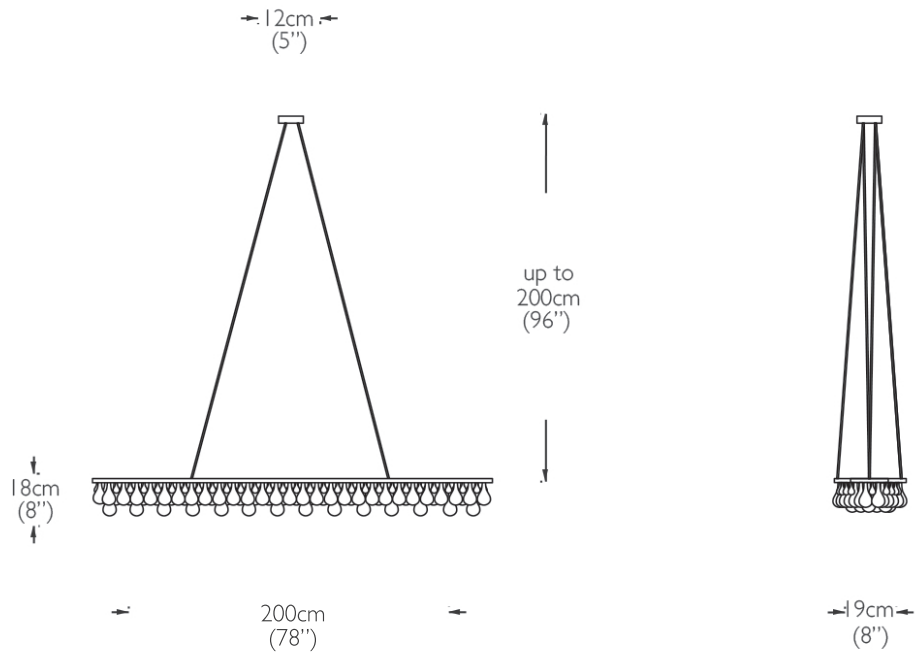
OCHRE



colours shown are a general indication of the actual finish

polished nickel

patinated bronze



double wave 200cm: canopy - 12cm diam (5" diam)
 overall - 200cm w x 19cm d x 18cm h (78" w x 8" d x 8" h)
 overall depth including curve is approx 28cm (11")

light source: 12x E14 (EU/UK), 10x E12 (US) bulb holders, screw fitting
 bulbs not supplied, dimmable golf ball shape recommended
 max 60 watts per incandescent bulb, LED bulb recommended

wiring: clear (UL listed)

installation: 4x tension wires adjustable up to 2m (96"), with ceiling canopy
 matching frame finish

it is advisable to measure from ceiling to top of chandelier in
 case longer wires are required

qualified electrician necessary for installation

weight: approx 41kg (90lbs)

custom sizes available - please enquire

arctic pear chandelier double wave 200cm

patinated bronze or polished nickel frame with solid glass drops single tier with additional drops
 on central channel